

SAFETY INSTRUCTIONS

1. Inspect tool and hoses before operation.
2. Do not operate if there is visible damage to the tool or any visible deterioration to the air hose and fitting.
3. Do not wear gloves while operating tool.
4. Never circumvent machine guarding.
5. Never attempt to repair the tool unless trained to do so. The results may cause injury.
6. Keep clothing, hair and fingers away from moving parts.
7. Do not carry tool by the hose.
8. Always wear approved eye protection.

KEEP FINGERS AWAY FROM MOVING PARTS MOVING PARTS MAY CAUSE BODILY HARM! THIS TOOL USES COMPRESSED AIR TO OPERATE

MAINTENANCE

1. Turn air supply off and disconnect air supply before performing any maintenance.
2. Always lubricate your tool using an in line oiler or by putting several drops of oil directly through the power pack each week.
3. Always use the proper hose size (inside diameter) which should be at least equal to the tool inlet pipe thread.

PARTS LIST SERVICE INSTRUCTIONS COMPONENT LEAD PROCESSOR

CLP-274

OPERATING INSTRUCTION

1. Maximum inlet air pressure is 80 psi. For longer tool and blade life it is recommended to operate the tool at the lowest pressure to do the job, or as indicated on tool.
2. Tools must be lubricated using an on line oiler no more than 6 feet from the tool, or oil directly through the rear of the power pack with several drops of pneumatic oil, weekly.
3. Cutter blade part #7 may be factory resharpened

TO DISASSEMBLE

1. Disconnect air supply.
2. Unscrew part #1 from part #9.
3. Remove cover plate, part #6.
4. Hold the seal end of the piston shaft (part #2) in a vise and with a thin open end or box wrench remove the cutter blade from the shaft.

ASSEMBLE IN REVERSE ORDER

**For more information visit our web site at:
www.simonds-inc.com**

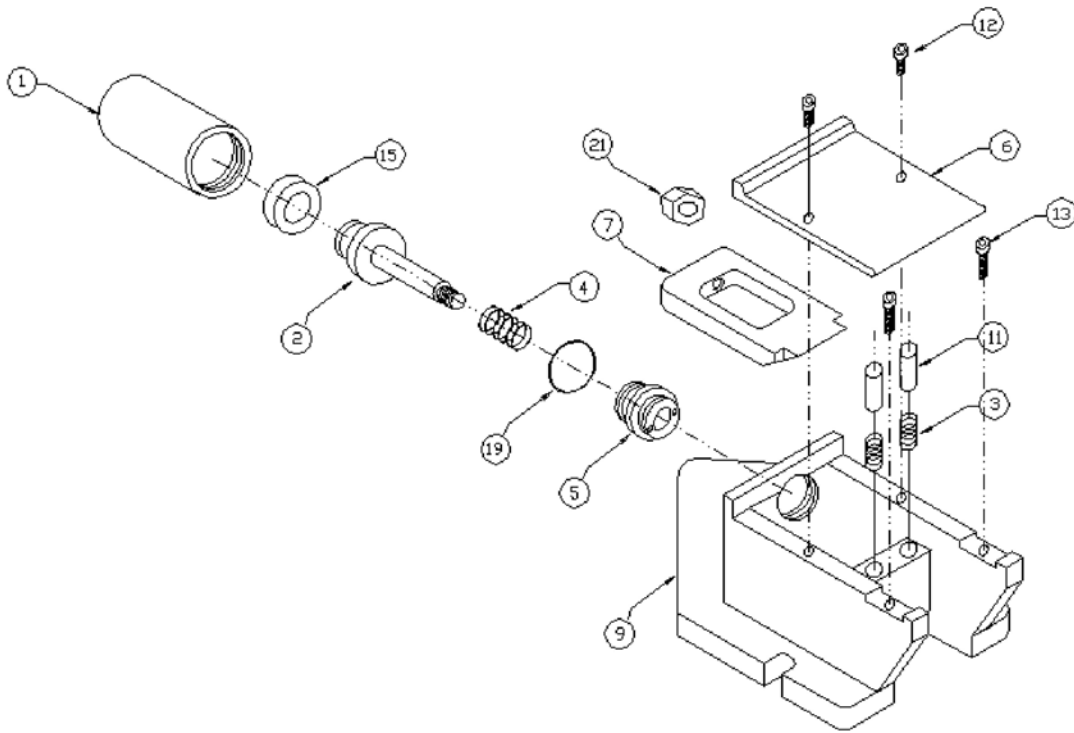
Simonds
World Leader in Pneumatic Hand Tools

248 Elm St.
Southbridge, MA 01550
Tel: 508-764-3235
Fax: 508-765-5125

LIST PRICES EFFECTIVE:
JANUARY 1, 2004

Prices subject to change without notice.

Simonds
World Leader in Pneumatic Hand Tools



PARTS LIST FOR CLP-274

DRWG. NO.	DESCRIPTION	PART NO.
1	PISTON HOUSING	1PPF-CLP
2	PISTON SHAFT	2-CLP
3	TENSION SPRING (2 reg.)	3-CLP-K10
4	RETURN SPRING	4-CLP
5	END CAP	5-CLP
6	COVER PLATE	6-CLP
7	CUTTER BLADE	7A-CLP
9	ALUMINUM BASE	9PT-CLP-ALUM
11	TENSION PIN (2 reg.)	3-20-K2
12	COVER SCREW (2 reg.)	12-CLP-K2
13	DIE SCREW (2 reg.)	13-CLP-K2
15	PISTON CUP	15-MSP
19	O'RING	18-MSP-K10
21	LOCK NUT	21-CLP

NOT SHOWN

	FOOT SWITCH	103
	PISTON HOUSING O'RING KIT	BP-MSP-KIT
	AIR HOSE, two 1/8" fittings	101-5